



VCA Headquarters
| The Eastgate Office Centre
Eastgate Road
Bristol, BS5 6XX
United Kingdom

Switchboard: +44 (0) 117 951 5151
Direct line: +44 (0) 117 952
Main Fax: +44 (0) 117 952 4103
Email: enquiries@vca.gov.uk
Web: www.vca.gov.uk

THE UNITED KINGDOM VEHICLE APPROVAL AUTHORITY

Rev 1/03

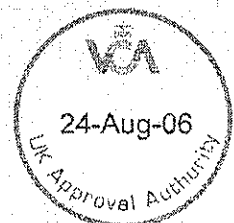


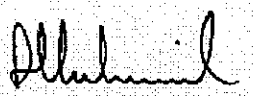
COMMUNICATION CONCERNING THE APPROVAL GRANTED OF A TYPE
OF SPECIAL WARNING LIGHT FOR MOTOR VEHICLES, PURSUANT TO
REGULATION NO 65

Approval No: 65R-000131

1. Special warning lamp /complete bar/ blue
2. Special warning lamp has one level of intensity.
3. For special warning lamps having two levels of intensity, indicate the system used to obtain increased intensity at day-time: Not applicable
4. Used light source, discharge lamp or category of filament lamp: 1½ loop gaseous discharge lamp (C002\$0BB-ECE)
5. Rated voltage of special warning lamp: 12 volt
6. Trade name or mark: Woodway Engineering Limited
7. Manufacturer's name and address:

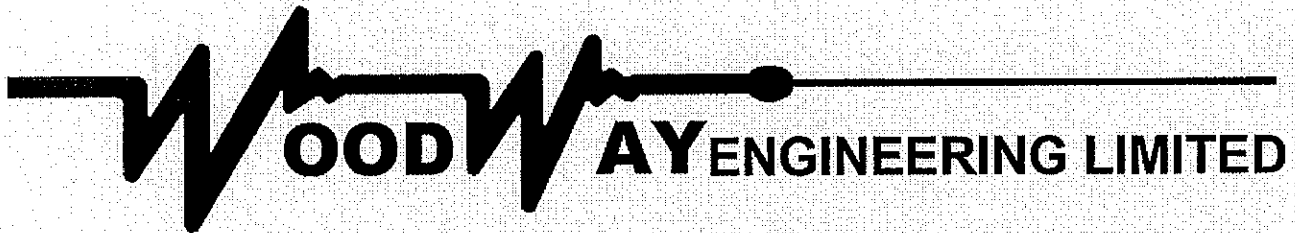
Woodway Engineering Limited
Lower Road
Barnacle
Coventry CV7 9LD
United Kingdom
8. If applicable, name and address of manufacturer's representative: Not applicable



- 9. Submitted for approval on: 17 July 2006
- 10. Technical service responsible for approval tests: Intertek, ETL Semko, NA
- 11. Date of report issued by that service: 17 July 2006
- 12. Number of report issued by that service: 3093271CRT-004
- 13. Approval GRANTED
- 14. Reason(s) of extension (if applicable): Not applicable
- 15. Place: BRISTOL
- 16. Date: 24 AUGUST 2006
- 17. Signature:  A KUBINSKI
- 18. The list of documents filed with the administration service which has granted approval and available on request is annexed to this communication.

US-05/0084





LOWER ROAD, BARNACLE, COVENTRY CV7 9LD ENGLAND



TEL: +44 (0)24 7684 1750

FAX: +44 (0)24 7662 1796

email: woodway@btconnect.com

Website: www.woodwayengineering.co.uk

Approval number and extension: E11 65R-000131 Base Approval

Reason for Extension: Initial Approval

Lamp Type Number or Part Number: Centurion Lightbar Series, C002\$0BB-ECE

Basic Description of Lamp, including ECE Category: Special Warning Lamp, Blue, one level of intensity, Rated voltage 12 V.

ECE Regulation 65 Category 'T' type B class 1 and type A class 1 special warning lights.

Date: 17 August 2006



Manufacturer's Name and Address:

Woodway Engineering Ltd
Lower Road
Barnacle
Coventry
CV7 9LD
United Kingdom

Representative's Name and Address (if applicable):

n/a

Lamp Specifications

Lens Optics / Reflector Optics: Strobe discharge tube mounted centrally within clear polycarbonate fresnel dome. Plain outer blue polycarbonate cover.

Rated voltage: 12 V

Number of bulbs and ECE Reg 37 bulb category or for non-replaceable light sources number and total wattage: 2 strobe discharge lamps, one either end of lightbar. Type FT20A. (See attached drawing 41567).

Lens material: Polycarbonate

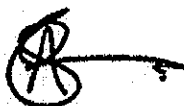
Housing material: Extruded aluminium chassis, natural finish with coloured polycarbonate dome top.

Sealing/bonding method and material: n/a

Vehicle application list (if applicable): n/a

Drawings or Photos: See attached drawings.

(Must have sufficient detail to identify lamp. Must include details of E Mark and other markings such as bulb categories on housing).



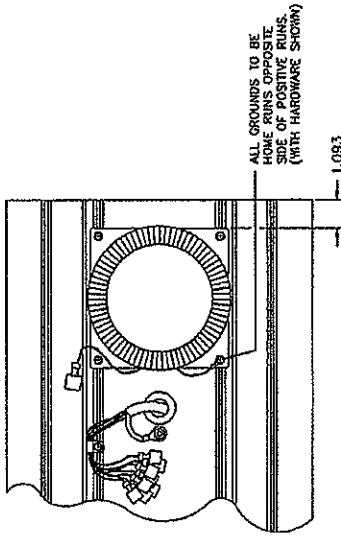
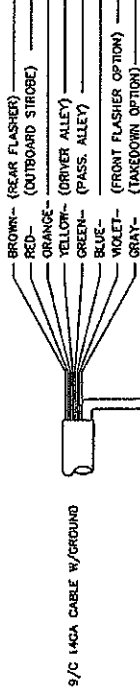
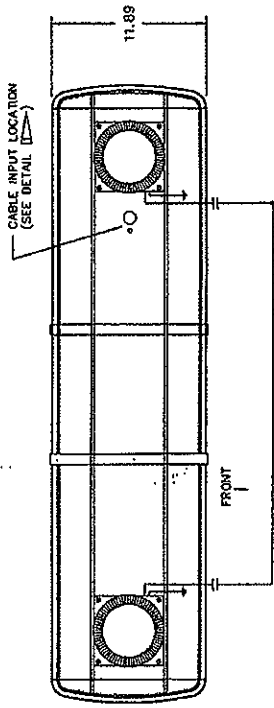
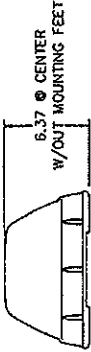
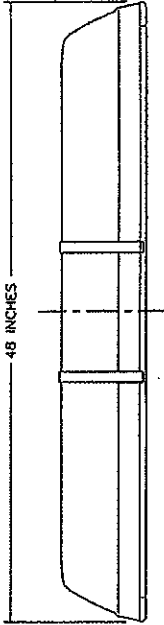
Manufacturer Signature

14th June 2006

Date



REV.	REV.	DATE



⇨ CABLE DRESSING DETAIL

NOTE: ASSEMBLY IS SHOWN FOR 48" BAR. LIGHTBAR IS AVAILABLE
IN OTHER LENGTHS BETWEEN 22" AND 66".

QTY.	ITEM	PART NUMBER	QUANTITY	EXTENSION
1	48" BAR ASSEMBLY, ECE SPECIFICATION			
1	48" BAR ASSEMBLY, ECE SPECIFICATION			
1	48" BAR ASSEMBLY, ECE SPECIFICATION			
1	48" BAR ASSEMBLY, ECE SPECIFICATION			
1	48" BAR ASSEMBLY, ECE SPECIFICATION			
1	48" BAR ASSEMBLY, ECE SPECIFICATION			
1	48" BAR ASSEMBLY, ECE SPECIFICATION			
1	48" BAR ASSEMBLY, ECE SPECIFICATION			
1	48" BAR ASSEMBLY, ECE SPECIFICATION			
1	48" BAR ASSEMBLY, ECE SPECIFICATION			

WIRELIST

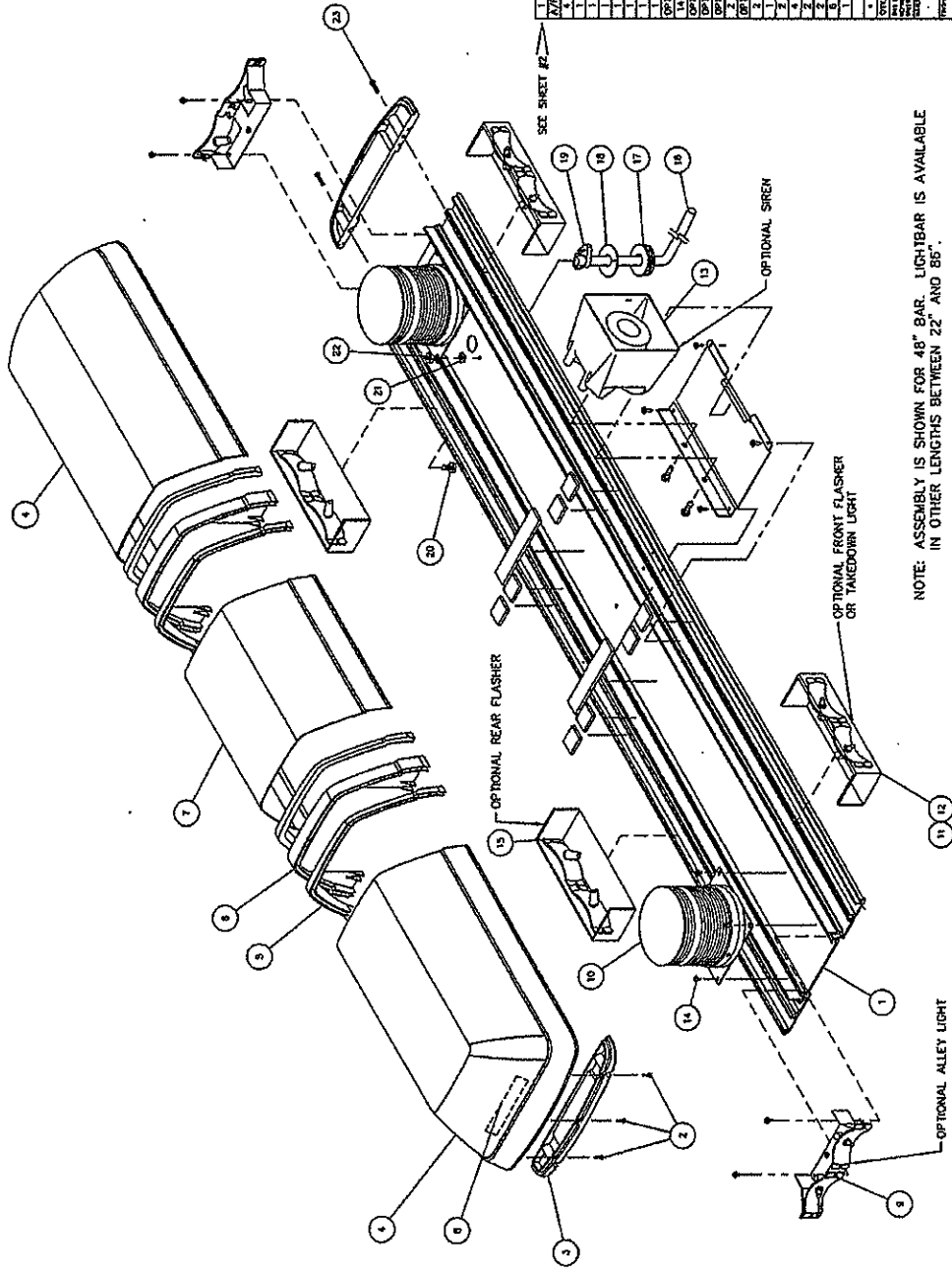
48" BAR ASSEMBLY, ECE SPECIFICATION

ITEM	QTY.	UNIT PRICE	TOTAL PRICE

REV. 8/13/06

QTY. 1 UNIT PRICE 84.536 TOTAL PRICE 84.536

Strobe Head Type: 2022 - 2 off
 Flash Pattern: Single Flash
 Flash Rate: 150 fpm
 Output Wattage: 22 Watts (Typical)
 Intensity Level: One

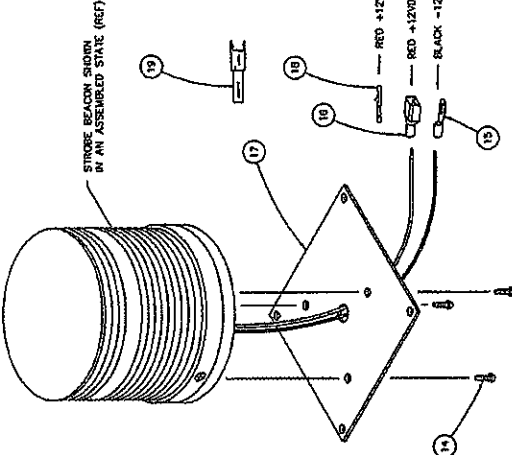


1	20	18-082979-00	ASSY, REAR BAR MOUNTING	FRONT
2	20	18-082980-00	ASSY, REAR BAR MOUNTING	REAR
3	22	18-104286-143	ROTOR, 1.25" X 1.25" 12 PRO	
4	22	18-104286-143	ROTOR, 1.25" X 1.25" 12 PRO	
5	13	18-101114-012	BRG, 1.14" ID FLANGE SHIP SS	
6	20	18-101114-012	BRG, 1.14" ID FLANGE SHIP SS	
7	19	18-101105-01	CLAMP, 3/16"	
8	18	18-101105-01	CLAMP, 3/16"	
9	18	18-101105-01	CLAMP, 3/16"	
10	18	18-101105-01	CLAMP, 3/16"	
11	18	18-101105-01	CLAMP, 3/16"	
12	18	18-101105-01	CLAMP, 3/16"	
13	18	18-101105-01	CLAMP, 3/16"	
14	18	18-101105-01	CLAMP, 3/16"	
15	18	18-101105-01	CLAMP, 3/16"	
16	18	18-101105-01	CLAMP, 3/16"	
17	18	18-101105-01	CLAMP, 3/16"	
18	18	18-101105-01	CLAMP, 3/16"	
19	18	18-101105-01	CLAMP, 3/16"	
20	18	18-101105-01	CLAMP, 3/16"	
21	18	18-101105-01	CLAMP, 3/16"	
22	22	18-104286-143	ROTOR, 1.25" X 1.25" 12 PRO	
23	22	18-104286-143	ROTOR, 1.25" X 1.25" 12 PRO	
24	20	18-082979-00	ASSY, REAR BAR MOUNTING	FRONT
OPTIONAL FRONT FLASHER OR TAKE-DOWN LIGHT				
OPTIONAL REAR FLASHER				
OPTIONAL ALLEY LIGHT				
OPTIONAL SIREN				

NOTE: ASSEMBLY IS SHOWN FOR 48" BAR. LIGHTBAR IS AVAILABLE IN OTHER LENGTHS BETWEEN 22" AND 85".

REV	ECN	DESCRIPTION	DATE
A	31637	CHANGE LABEL PN	9/16/05

NOTE: FOR SPECIFICATIONS SEE DRAWING NO. 83147.



QTY.	ITEM	PART NUMBER	DESCRIPTION
1	19	39-0401313-04	HOUSING, 1 POS PIN
1	18	39-0501316-04	PIN, 20-14 AWG
1	17	07-742680-000	ADAPTER PLATE
1	16	25-1240423-05	FASTON, MALE, AMP 22-18GA. INSL.
1	15	25-2544520-05	#8 RING TERM, NON. INSL.
3	14	15-101416-120	#10 X 3/4" PPHSMS
1	13	08-182599-001	BASE, STROBE, PLASTIC (MAG. MT.)
1	12	02-0168306-00	PCB ASSY, MODEL 2022 SERIES
2	11	15-041416-080	#4 X 1/2" PHILLIPS PAN HD SMS SS
1	10	36-0341567-00	FLASH TUBE ASSY (FTU 20W)
3	9	15-066939-056	#6 X 5/16" HEX WASHER HD. THD. FORMING SCREW
2	8	15-065410-100	#8 X 5/8" PAN HD. THD. FORM SCREW
1	7	10-0523199-**	LABEL, PN/MN/SN 2022 SERIES
1	6	10-0321946-00	LABEL, "WARNING"
A/R	5	68-2180452-50	DOME, (RED)
A/R	4	68-2180452-40	DOME, (GREEN)
A/R	3	68-2180452-30	DOME, (CLEAR)
A/R	2	68-2180452-20	DOME, (BLUE)
A/R	1	68-2180452-10	DOME, (AMBER)
-	-	02-0383351-()	ASS'Y, STROBE BEACON, AMP
-	-	02-0383351-()	ASS'Y, STROBE BEACON

THIS DRAWING IS PROPRIETARY TO THE WHELEN ENG. CO., INC., ANY REPRODUCTION, DISCLOSURE OR USE OF THIS DRAWING WITHOUT WRITTEN AUTHORIZATION FROM WHELEN ENG. CO., INC. IS PROHIBITED MATERIAL

FINISH

TERMINATION
 0 = FASTON
 1 = AMP

COLOR:
 A = AMBER
 B = BLUE
 C = CLEAR
 G = GREEN
 R = RED
 V = VIOLET

SCALE NONE DATE 3/16/99 RELEASE DATE 3/17/99
 DR. G.P.S. CR. G.P.S. ENG. G.P.S. REV. G.P.S. SHEET OF 1
 DWG NO. 83351 A 1 1 1

© 1999 WHELEN ENG. CO. INC. PAGE CODE 10402 MFG. GENI

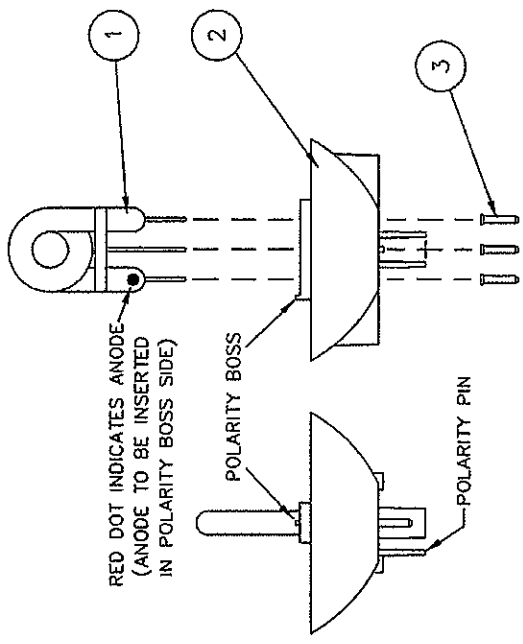
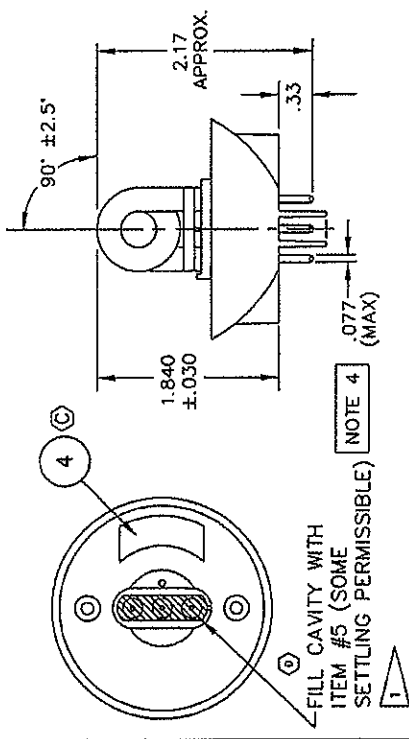
WHELEN® ROUTE 145
 CHESTER, CT 06412-0884
 ENGINEERING COMPANY INC. TELEPHONE (860)526-9504

**ASS'Y, STROBE BEACON
 EXTRUSION MOUNT
 "CENTURION" LIGHTBAR**

REV	ECN	DESCRIPTION	DATE
A	8364	CHANGED TITLE AND P/N OF ITEM 3. ADDED ASSY PROCEDURE.	11-6-92
B	8666	CHANGED PART NUMBER	1-27-93
C	16747	ADDED ITEM #4	5/1/97
D	21256	ADD RTV TO ASSY.	1-13-99

SUGGESTED ASSEMBLY PROCEDURE

1. INSERT FLASHTUBE FULLY INTO LAMPHOLDER, OBSERVING POLARITY AND FLASHTUBE SKEWING.
2. SLIDE SOCKETS OVER FLASHTUBE WIRES, SECURING FLASHTUBE TIGHTLY INTO LAMPHOLDER.
3. TRIM EXCESS FLASHTUBE WIRES FLUSH WITH END OF SOCKETS.
4. SOLDER THE ENDS OF SOCKETS TO DRAW SOLDER DOWN AROUND FLASHTUBE PINS FILLING THE INSIDE OF EACH SOCKET. OUTSIDE OF SOCKET MUST BE SMOOTH AND MEET PIN O.D. SPEC.
5. INSPECT FLASHTUBE FOR PROPER FOCAL POINT AND SKEWING ANGLE.
6. FILL CAVITY WITH RTV (SOME SETTLING PERMISSIBLE)
7. TEST FLASHTUBE FOR PROPER OPERATIONAL SPECS. (SEE DRAWING NO. 40705)



A/R	5	66-0716303-00	RTV
1	4	10-0522321-02	LABEL, FLASHTUBE M/N DATE CODE FT-20A
3	3	40-0045681-00	SOCKET
1	2	33-12461559-4	LAMPHOLDER (BLACK) NON METALLIZED
1	1	36-0140406-00	FLASH TUBE
-	-	36-0341567-00	FLASHTUBE ASSY, FT-20A
QTY.	ITEM	PART NUMBER	DESCRIPTION

© 1992 COPYRIGHT, WHELEN ENGINEERING COMPANY

PIONEERS IN SAFETY SIGNALS
WHELEN® ROUTE 145
 CHESTER, CT 06412-0684
 ENGINEERING COMPANY TELEPHONE (203) 578-5504

FLASHTUBE ASSEMBLY
 FT-20A

OR TURNER SCALE FULL SHEET 1 OF 1
 DR. GPS DATE 11-6-92
 ENG. JLS DRAWING NO. 41567
 APP. JLS/OPA

TERMINAL UNLESS OTHERWISE SPECIFIED - ANGLES ±1/2

CODE BENT.

MATERIAL

FINISH

The passing of this drawing to a third party without the express permission of Woodway Engineering Ltd is an infringement of copyright © 2006

THIRD ANGLE PROJECTION

Lamp Type
 T = Rotating or Stationary
 X = Directional

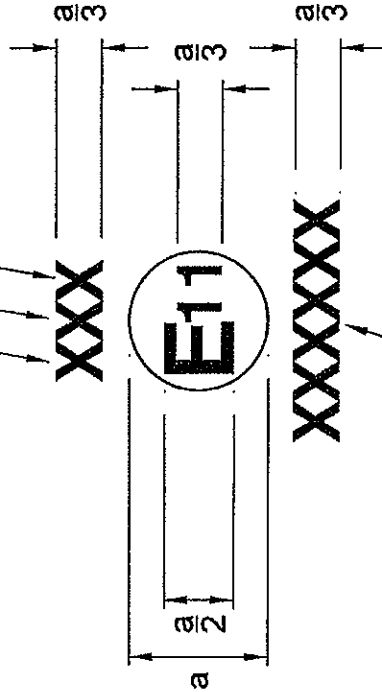
Colour
 A = Amber
 B = Blue

Class Number
 1 = Single Intensity Level
 2 = Two Intensity Levels

TB1

 002439

Typical Marking Shown Minimum Size
 Approval granted for a rotating blue lamp with single intensity.
 Approval number 002439



Approval Number

Text Size - a ≥ 8mm

MATERIAL: 3M SCOTCHMARK 7815 WHITE POLYESTER OR EQUIVALENT
 ADHESIVE: PERMANENT 'HI-PRECISION' ACRYLIC
 MARKING: INDELIBLE BLACK, THERMAL RESIN RIBBON

DRN	ISS.	MOD. No.	DATE	ISS.	MOD. No.	DATE	MATERIAL: -	ORIGINAL	FILE DIR:
CHKD	A	-----	6/6/06				SEE ABOVE	SCALE	S:\ENGINEERING\ACAD DRAWINGS WOODWAY
APPD							SEE ABOVE	1:1	A4
DATE	ALL DIMENSIONS ARE IN mm U.O.S. []=IMP. U.O.S.			ECE65		TYPE APPROVAL MARK		PART	
6/6/06				DO NOT SCALE		IF IN DOUBT ASK		NUMBER	
								DRG. No. ECE65 MARK	
								WOODWAY ENGINEERING LTD	
								LOWER ROAD, BARNACLE, COVENTRY CV7 9LD, ENGLAND	
								TEL: 024 7654 1725 FAX: 024 7652 1738	