



VCA Headquarters
1 The Eastgate Office Centre
Eastgate Road
Bristol, BS5 6XX
United Kingdom

Switchboard: +44 (0) 117 951 5151
Direct line: +44 (0) 117 952
Main Fax: +44 (0) 117 952 4103
Email: enquiries@vca.gov.uk
Web: www.vca.gov.uk

THE UNITED KINGDOM VEHICLE APPROVAL AUTHORITY

Rev 1/03




COMMUNICATION CONCERNING THE APPROVAL GRANTED OF A TYPE
OF SPECIAL WARNING LIGHT FOR MOTOR VEHICLES, PURSUANT TO
REGULATION NO 65

Approval No: 65R-000133

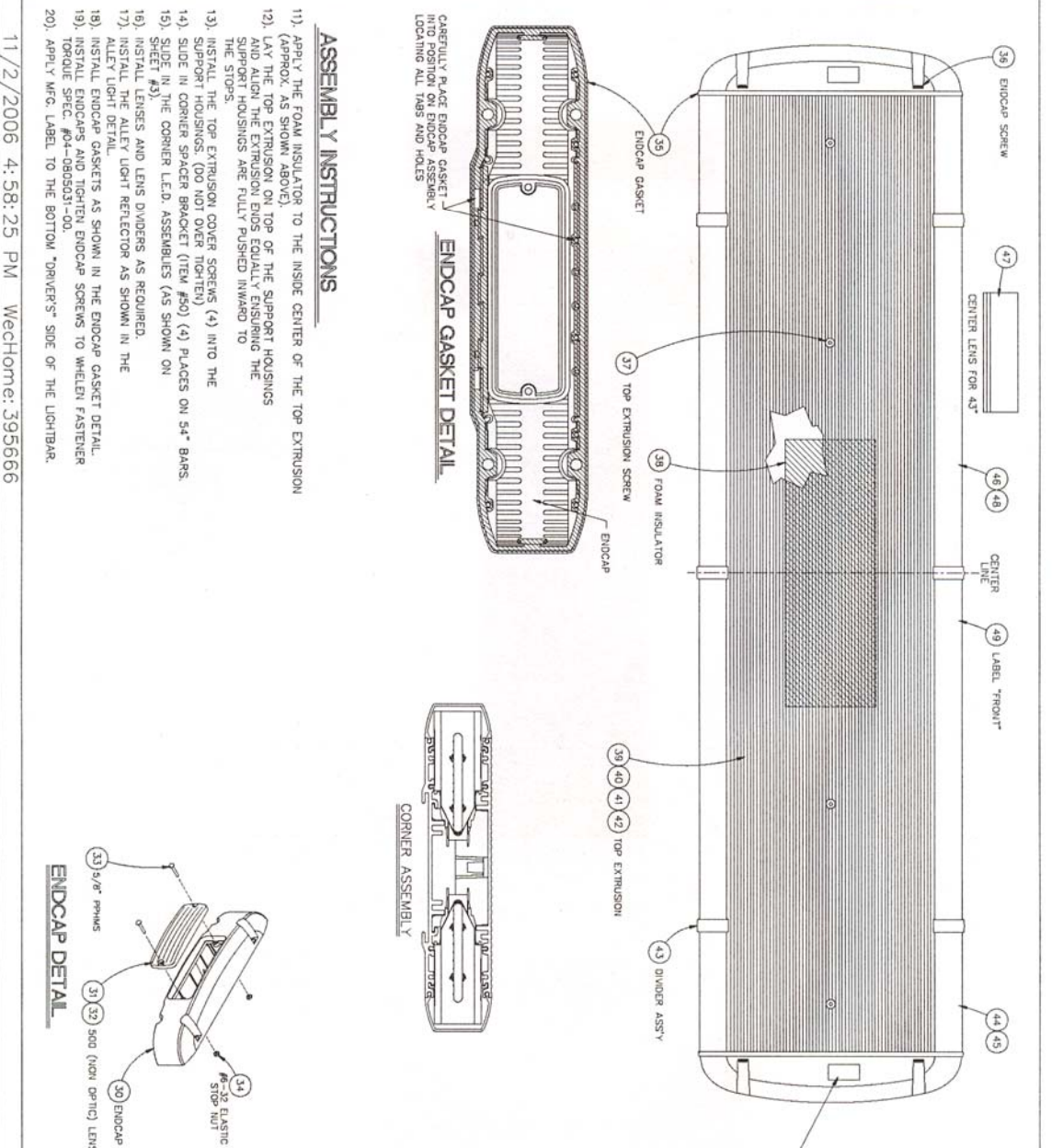
1. Special warning lamp /complete bar/ blue
2. Special warning lamp has one level of intensity.
3. For special warning lamps having two levels of intensity, indicate the system used to obtain increased intensity at day-time: Not applicable
4. Used light source, discharge lamp or category of filament lamp:
Light source module: Yes
Light source module identification code: 02-0164382-20 (optional 02-0169952-20)
5. Rated voltage of special warning lamp: 12 volt
6. Trade name or mark: WoodWay Engineering Limited
7. Manufacturer's name and address:
WoodWay Engineering Limited
Lower Road
Barnacle
Coventry CV7 9LD
United Kingdom
8. If applicable, name and address of manufacturer's representative: Not applicable



- 9. Submitted for approval on: 14 December 2006
- 10. Technical service responsible for approval tests: Intertek Testing Services NA, Inc.
- 11. Date of report issued by that service: 3 November 2006
- 12. Number of report issued by that service: 3104406CRT-001
- 13. Approval GRANTED
- 14. Reason(s) of extension (if applicable): Not applicable
- 15. Place: BRISTOL
- 16. Date: 18 JANUARY 2007
- 17. Signature:  A KUBINSKI
- 18. The list of documents filed with the administration service which has granted approval and available on request is annexed to this communication.

UAG079324





GENERAL SPECIFICATION

LENGTH: 560mm MIN - 1525mm MAX (1370mm SHOWN)

FLASH PATTERN: SINGLE/DOUBLE

LED COLOUR: BLUE

LENS COLOUR: BLUE

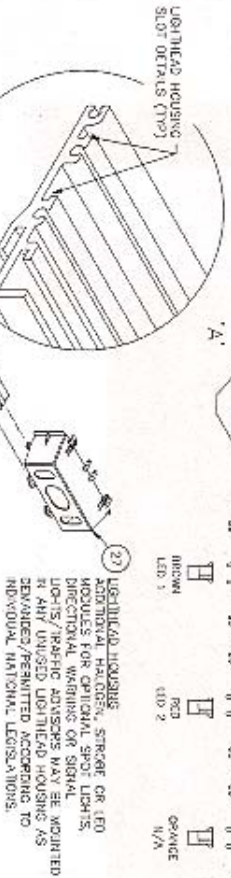
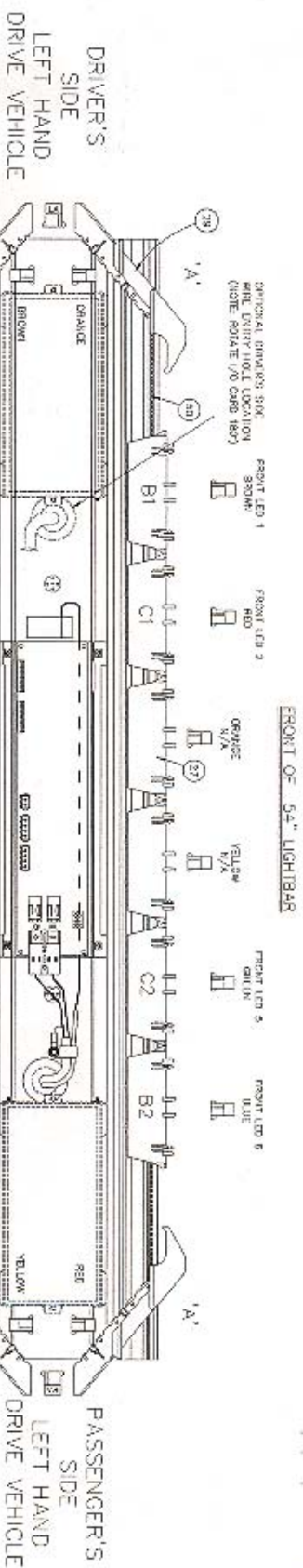
INTENSITY: SINGLE

FIX AN EC665 LABEL (OUTSIDE TOP) ON BOTH ENDCAPS.

REV	NO.	DESCRIPTION	DATE
1	1	ISSUED FOR APPROVAL	18-Jan-07
2	1	ISSUED FOR APPROVAL	18-Jan-07
3	1	ISSUED FOR APPROVAL	18-Jan-07
4	1	ISSUED FOR APPROVAL	18-Jan-07
5	1	ISSUED FOR APPROVAL	18-Jan-07
6	1	ISSUED FOR APPROVAL	18-Jan-07
7	1	ISSUED FOR APPROVAL	18-Jan-07
8	1	ISSUED FOR APPROVAL	18-Jan-07
9	1	ISSUED FOR APPROVAL	18-Jan-07
10	1	ISSUED FOR APPROVAL	18-Jan-07
11	1	ISSUED FOR APPROVAL	18-Jan-07
12	1	ISSUED FOR APPROVAL	18-Jan-07
13	1	ISSUED FOR APPROVAL	18-Jan-07
14	1	ISSUED FOR APPROVAL	18-Jan-07
15	1	ISSUED FOR APPROVAL	18-Jan-07
16	1	ISSUED FOR APPROVAL	18-Jan-07
17	1	ISSUED FOR APPROVAL	18-Jan-07
18	1	ISSUED FOR APPROVAL	18-Jan-07
19	1	ISSUED FOR APPROVAL	18-Jan-07
20	1	ISSUED FOR APPROVAL	18-Jan-07

ASSEMBLY INSTRUCTIONS

- 11) APPLY THE FOAM INSULATOR TO THE INSIDE CENTER OF THE TOP EXTRUSION (APPROX. AS SHOWN ABOVE).
- 12) LAY THE TOP EXTRUSION ON TOP OF THE SUPPORT HOUSINGS AND ALIGN THE EXTRUSION ENDS EQUALLY, ENSURING THE SUPPORT HOUSINGS ARE FULLY PUSHED INWARD TO THE STOPS.
- 13) INSTALL THE TOP EXTRUSION COVER SCREWS (4) INTO THE SUPPORT HOUSINGS (DO NOT OVER TIGHTEN).
- 14) SLIDE IN CORNER SPACER BRACKET (ITEM #30) (4) PLACES ON 54" BARS.
- 15) SLIDE IN THE CORNER L.E.D. ASSEMBLY (AS SHOWN ON SHEET #3).
- 16) INSTALL LENSES AND LENS DIVIDERS AS REQUIRED.
- 17) INSTALL THE REFLECTOR LIGHT REFLECTOR AS SHOWN IN THE ASSEMBLY DETAIL.
- 18) INSTALL END CAP GASKETS AS SHOWN IN THE END CAP GASKET DETAIL.
- 19) INSTALL END CAPS AND TIGHTEN END CAP SCREWS TO WHEEL FASTENER TORQUE SPEC. #24-080501-00.
- 20) APPLY MFG. LABEL TO THE BOTTOM "DRIVERS" SIDE OF THE LIGHTBAR.



BASE ECE65 ASSEMBLY
 4 CORNER MODULES 01-0264166220 (BLUE) A1 W/
OPTIONAL ECE65 PAIRS
 DIRECTIONAL LAMPS 01-0264072220 (BLVD) A1;
 B1, B2
 C1, C2
 D1, D2
 F1, F2

NOTE: A MAXIMUM OF 4 SETS OF 500 SPIRES LENSES ARE ALLOWED BEFORE ECU MAXIMUMS ARE EXCEEDED.

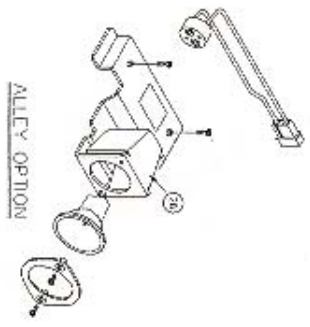
LIGHTHEAD ASSEMBLY KEY
 BRN = CORNER LED (BEAR SPRING SWG)
 GRN = CORNER LED (FRONT END/REAR SWG)
 ORG = CORNER LED (FRONT END/REAR SWG)
 YLW = CORNER LED (BEAR SPRING SWG)
 BLU = LEFT ALLEY LIGHT (PASSENGER'S SWG)
 RED = RIGHT ALLEY LIGHT (DRIVER'S SWG)
 LEDP = RIBBON 500 SPIRES LED

ASSEMBLY INSTRUCTIONS

- 7) SLIDE LIGHT-HEAD HOUSINGS INTO THE BASE EXPANSION (SEE LIGHT-HEAD HOUSING DETAIL).
- 8) ROUTE ALL WIRING HARNESS CONNECTORS INTO THE DESIGNATED LIGHT-HEAD HOUSINGS AS SHOWN.
- 9) CONNECT THE CORNER LED ASSEMBLY TO THEIR CORRESPONDING WIRING HARNESS CONNECTORS. (NOTE: DO NOT INSTALL CORNER LED'S INTO THE BASE EXTENSION AT THIS TIME. (SHOWN AS A REFERENCE LOCATION ONLY).
- 10) THE PENCIL OR OPTIONAL LIGHT-HEAD MAY BE SWAPPED INTO THE LIGHT-HEAD HOUSING AS REQUIRED (SEE LIGHT-HEAD HOUSING DETAIL).

(CONTINUED ON SHEET #4)

LIGHTHEAD HOUSING DETAIL



REV	DATE	BY	APP	DESCRIPTION
1				SEE SHEET #4
2				SEE SHEET #1
3				SEE SHEET #1
4				SEE SHEET #1
5				SEE SHEET #1
6				SEE SHEET #1
7				SEE SHEET #1
8				SEE SHEET #1
9				SEE SHEET #1
10				SEE SHEET #1
11				SEE SHEET #1
12				SEE SHEET #1
13				SEE SHEET #1
14				SEE SHEET #1
15				SEE SHEET #1
16				SEE SHEET #1
17				SEE SHEET #1
18				SEE SHEET #1
19				SEE SHEET #1
20				SEE SHEET #1
21				SEE SHEET #1
22				SEE SHEET #1
23				SEE SHEET #1
24				SEE SHEET #1
25				SEE SHEET #1
26				SEE SHEET #1
27				SEE SHEET #1
28				SEE SHEET #1
29				SEE SHEET #1
30				SEE SHEET #1
31				SEE SHEET #1
32				SEE SHEET #1
33				SEE SHEET #1
34				SEE SHEET #1
35				SEE SHEET #1
36				SEE SHEET #1
37				SEE SHEET #1
38				SEE SHEET #1
39				SEE SHEET #1
40				SEE SHEET #1
41				SEE SHEET #1
42				SEE SHEET #1
43				SEE SHEET #1
44				SEE SHEET #1
45				SEE SHEET #1
46				SEE SHEET #1
47				SEE SHEET #1
48				SEE SHEET #1
49				SEE SHEET #1
50				SEE SHEET #1
51				SEE SHEET #1
52				SEE SHEET #1
53				SEE SHEET #1
54				SEE SHEET #1
55				SEE SHEET #1
56				SEE SHEET #1
57				SEE SHEET #1
58				SEE SHEET #1
59				SEE SHEET #1
60				SEE SHEET #1
61				SEE SHEET #1
62				SEE SHEET #1
63				SEE SHEET #1
64				SEE SHEET #1
65				SEE SHEET #1
66				SEE SHEET #1
67				SEE SHEET #1
68				SEE SHEET #1
69				SEE SHEET #1
70				SEE SHEET #1
71				SEE SHEET #1
72				SEE SHEET #1
73				SEE SHEET #1
74				SEE SHEET #1
75				SEE SHEET #1
76				SEE SHEET #1
77				SEE SHEET #1
78				SEE SHEET #1
79				SEE SHEET #1
80				SEE SHEET #1
81				SEE SHEET #1
82				SEE SHEET #1
83				SEE SHEET #1
84				SEE SHEET #1
85				SEE SHEET #1
86				SEE SHEET #1
87				SEE SHEET #1
88				SEE SHEET #1
89				SEE SHEET #1
90				SEE SHEET #1
91				SEE SHEET #1
92				SEE SHEET #1
93				SEE SHEET #1
94				SEE SHEET #1
95				SEE SHEET #1
96				SEE SHEET #1
97				SEE SHEET #1
98				SEE SHEET #1
99				SEE SHEET #1
100				SEE SHEET #1